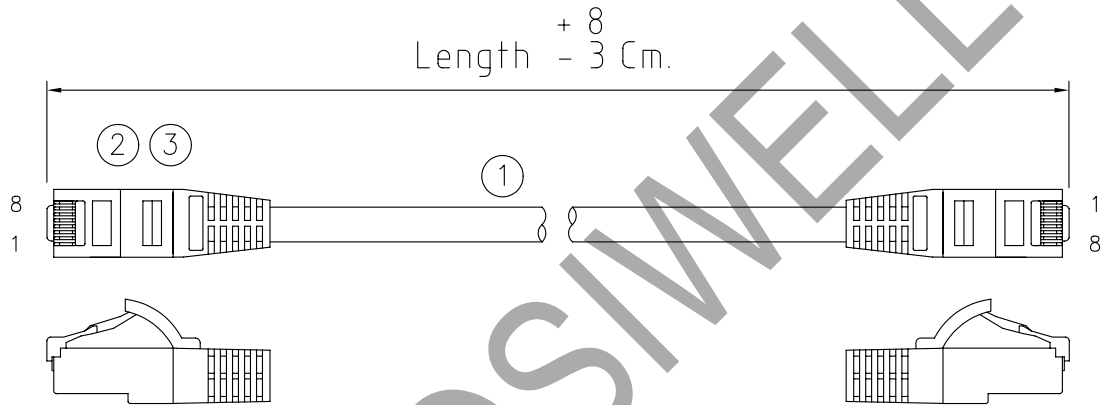


RevNo	Revision note	Date
△		
△		
△		

PIN OUT			
INSU. COLOR (T-568A)	RJ45PLUG (8P8C)	RJ45PLUG (8P8C)	INSU. COLOR (T-568B)
LIGHT GREEN	1	3	LIGHT GREEN
GREEN	2	6	GREEN
WHITE	3	1	WHITE
ORANGE	6	2	ORANGE
BLUE	4	4	BLUE
LIGHT BLUE	5	5	LIGHT BLUE
LIGHT BROWN	7	7	LIGHT BROWN
BROWN	8	8	BROWN



LENGTH (METRE) (LL)
0.5 M.
1.0 M.
1.5 M.
2.0 M.
2.5 M.
3.0 M.
4.0 M.
5.0 M.
6.0 M.
7.0 M.
8.0 M.
10.0 M.
15.0 M.
20.0 M.


CC	COLOR
WH	WHITE (UTP 1)
RD	RED (UTP 2)
BK	BLACK (UTP 3)
GN	GREEN (UTP 4)
YW	YELLOW (UTP 5)
BL	BLUE (UTP 6)
BG	BEIGE (UTP 7)
GR	GREY (UTP 77)
OR	ORANGE (UTP 8)
VL	VIOLET (UTP 9)
PK	PINK (UTP 11)

HOSIWELL

10008-LLCC/X

For Example :  
10008-1.0WH/X

③	B00TED PVC (MOLD NO. 07149)	2	PCS.
②	RJ45 PLUG 8P8C (104H-2A)	2	PCS.
①	UTP CAT.5E PATCH CABLE E135928 - T (UL)		
	CMR 4PR 24AWG PVC JACKET	1	PC.
ITEM	DESCRIPTION	Q'TY	UNIT

Designed by - date	Checked by - date	Approved by - date	Date	Size	Scale
			29/09/2009	A4	-
 HOSIWELL TECHNOLOGY CO., LTD.				Part Name	Unit
				Cat.5e UTP Patch Cord	M.
				Part No. 10008-LLCC/X	Issued 1
				Ref. No.	Sheet
Used On.	1 of 1				