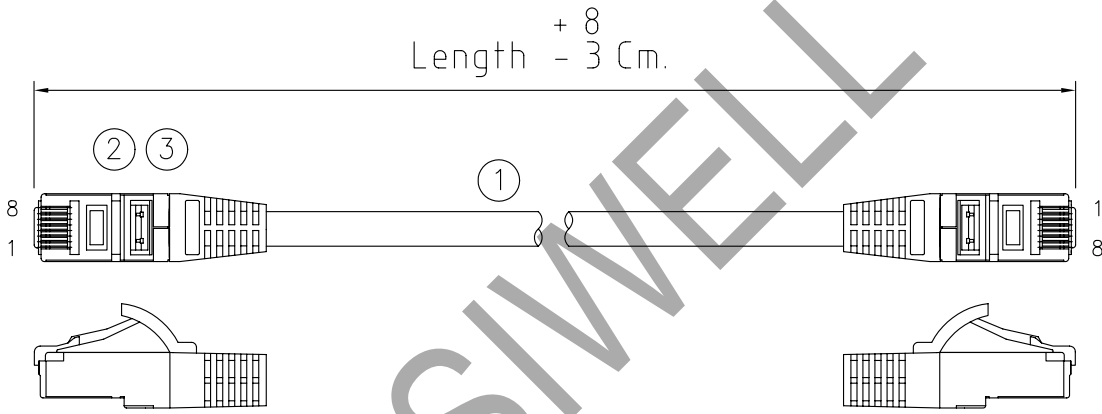


RevNo	Revision note	Date
△		
△		
△		

T-568B PIN OUT		
INSU. COLOR	RJ45PLUG (8P8C-SH)	RJ45PLUG (8P8C-SH)
WHITE	1	1
ORANGE	2	2
LIGHT GREEN	3	3
GREEN	6	6
BLUE	4	4
LIGHT BLUE	5	5
LIGHT BROWN	7	7
BROWN	8	8



LENGTH (METRE) (LL)
0.5 M.
1.0 M.
1.5 M.
2.0 M.
2.5 M.
3.0 M.
4.0 M.
5.0 M.
6.0 M.
7.0 M.
8.0 M.
10.0 M.
15.0 M.
20.0 M.


CC	COLOR
WH	WHITE (UTP 1)
RD	RED (UTP 2)
BK	BLACK (UTP 3)
GN	GREEN (UTP 4)
YW	YELLOW (UTP 5)
BL	BLUE (UTP 6)
BG	BEIGE (UTP 7)
GR	GREY (UTP 77)
OR	ORANGE (UTP 8)
VL	VIOLET (UTP 9)
PK	PINK (UTP 11)

HOSIWELL

10006-LLCC
For Example :
10006-1.0WH

③	B00TED PVC (MOLD NO. 07149)	2	PCS.
②	RJ45 PLUG 8P8C-SH (T8TE-23E) 50μ -3	2	PCS.
①	FTP CAT.5E PATCH CABLE E135928 - T (UL)		
	CMR 4PR 26AWG PVC JACKET	1	PC.
ITEM	DESCRIPTION	Q'TY	UNIT

Designed by - date	Checked by - date	Approved by - date	Date	Size	Scale
			22/09/2009	A4	-

 HOSIWELL TECHNOLOGY CO., LTD.	Part Name	Unit
	Cat.5e FTP Patch Cord	M.
	Part No. 10006-LLCC	Issued 1
	Ref. No.	Sheet
Used On.	1 of 1	