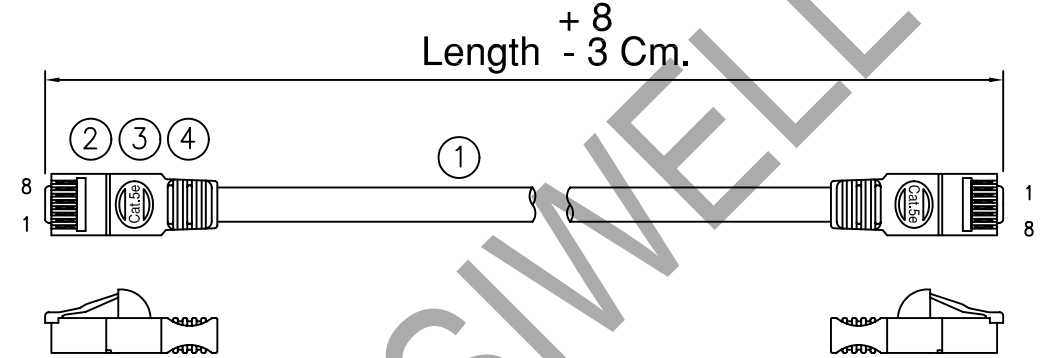


RevNo	Revision note	Date
⚠		
⚠		
⚠		

T-568B PIN OUT		
INSU. COLOR	RJ45PLUG (8P8C)	RJ45PLUG (8P8C)
WHITE	1	1
ORANGE	2	2
LIGHT GREEN	3	3
GREEN	6	6
BLUE	4	4
LIGHT BLUE	5	5
LIGHT BROWN	7	7
BROWN	8	8



LENGTH (METRE) (LL)
0.5 M.
1.0 M.
1.5 M.
2.0 M.
2.5 M.
3.0 M.
4.0 M.
5.0 M.
6.0 M.
7.0 M.
8.0 M.
10.0 M.
15.0 M.
20.0 M.


CC	COLOR
WH	WHITE (UTP 1)
RD	RED (UTP 2)
BK	BLACK (UTP 3)
GN	GREEN (UTP 4)
YW	YELLOW (UTP 5)
BL	BLUE (UTP 6)
BG	BEIGE (UTP 7)
GR	GREY (UTP 77)
OR	ORANGE (UTP 8)
VL	VIOLET (UTP 9)
PK	PINK (UTP 11)

HOSIWELL

10005-LLCC  
For Example :  
10005-1.0WH

④	OUTER MOLD & BOOT PVC (MOLD NO. 911666 OR 202333-1,2)	2	PCS.
③	INNER MOLD PE (MOLD NO. 911666)	2	PCS.
②	RJ45 PLUG 8P8C (102SHOS-2A) SHORT TYPE	2	PCS.
①	UTP CAT.5E PATCH CABLE E135928 - T (UL)		
	CMR 4PR 24AWG PVC JACKET	1	PC.
ITEM	DESCRIPTION	Q'TY	UNIT

Designed by - date	Checked by - date	Approved by - date	Date 22/09/2009	Size A4	Scale -
--------------------	-------------------	--------------------	--------------------	------------	------------

 HOSIWELL TECHNOLOGY CO., LTD.	Part Name	Unit
	Cat.5e UTP Patch Cable	M.
	Part No. 10005-LLCC	Issued 1
	Ref. No.	Sheet
Used On.	1 of 1	