

1 2 3 4 5 6 7 8

RevNo	Revision note	Date
△1		
△2		
△3		

A

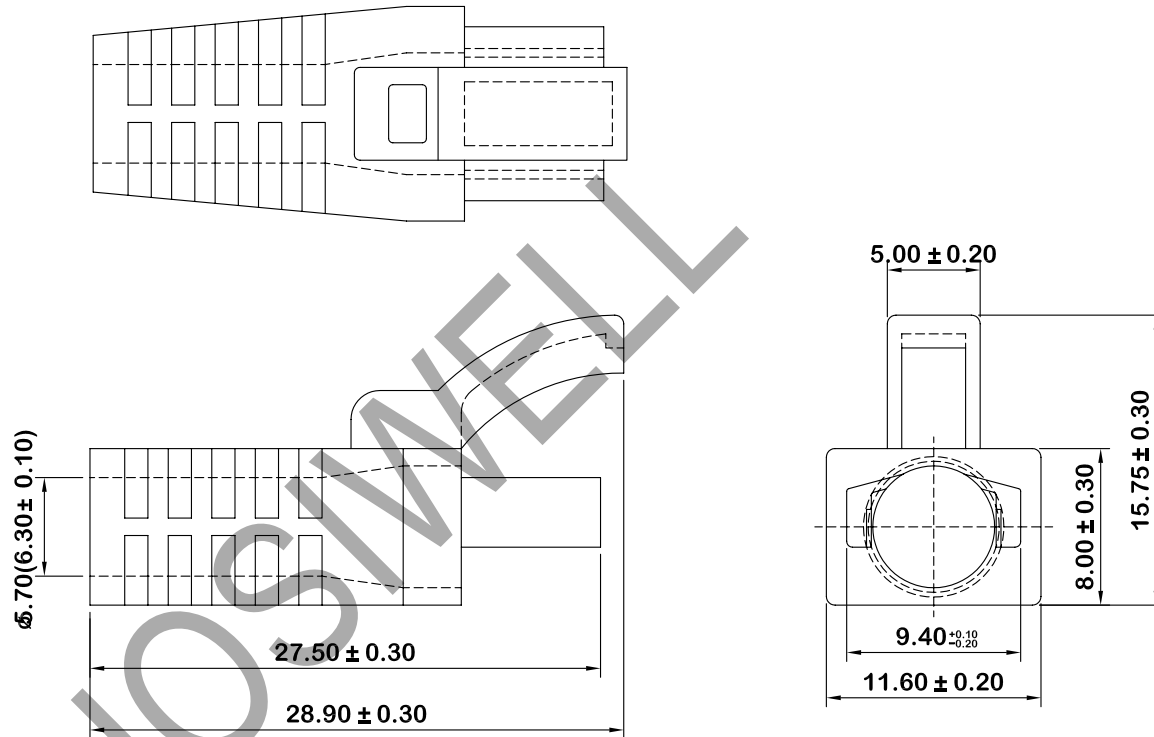
B


C

D

E

F



Designed by - date	Checked by - date	Approved by - date	Date	Size	Scale
			29/09/2009	A4	-
 HOSIWELL TECHNOLOGY CO., LTD.		Part Name			Unit
		Low Profile Colored Boot Cover			mm
		Part No. 21423-CC			Issued
		Ref. No.			1
		Used On.			Sheet
					1 of 2

1 2 3 4 5 6 7 8