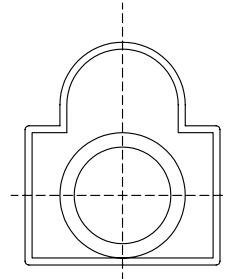
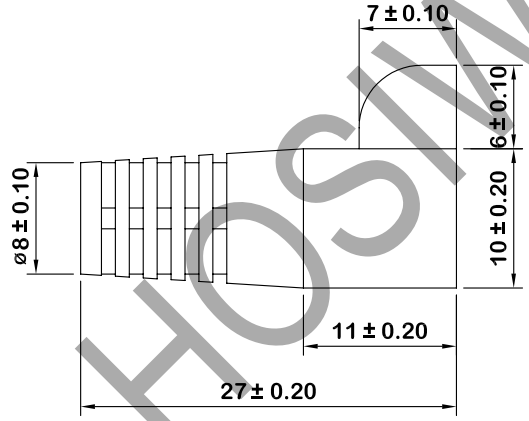
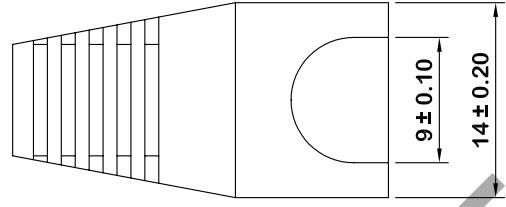



1 2 3 4 5 6 7 8

RevNo	Revision note	Date
△1		
△2		
△3		



HOSIWELL

Designed by - date	Checked by - date	Approved by - date	Date 29/09/2009	Size A4	Scale -
 HOSIWELL TECHNOLOGY CO., LTD.		Part Name Colored Boot Cover			Unit mm
		Part No. 21421-CC			Issued 1
		Ref. No.			Sheet 1 of 2
		Used On.			

1 2 3 4 5 6 7 8