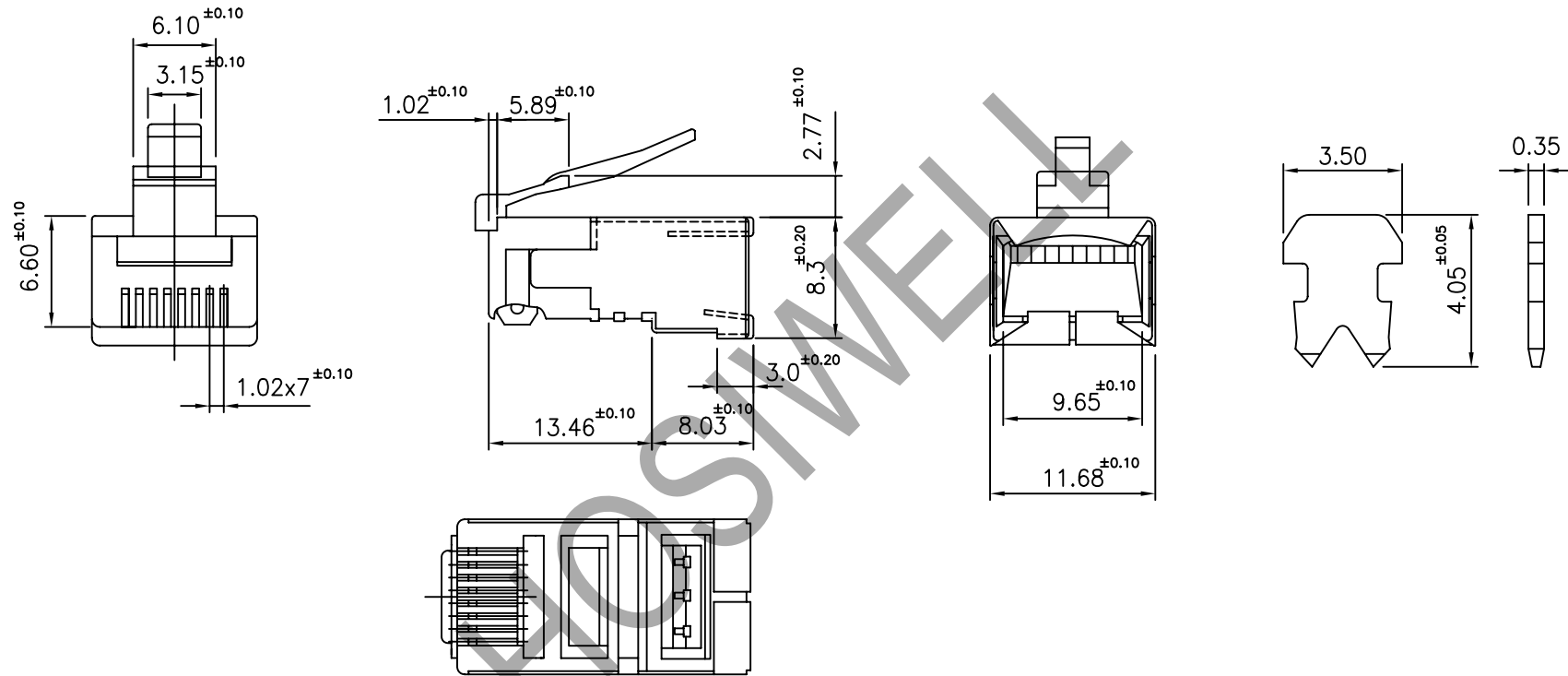



RevNo	Revision note	Date
①		
②		
③		



- MATERIAL HOUSING—POLYCARBONATE, CLEAR.**
TERMINAL— PHOSPHOR BRONZE, PLATED WITH 0.381 μ m (.000015) MINIMUM THICK GOLD IN LOCALIZED GOLD PLATE AREA, GOLD FLASH OVER THE REMAINDER, OVER 2.54 μ m (.000100) MINIMUM THICK NICKEL UNDERPLATE.
SHIELD— COPPER ALLOY PLATED WITH 2.03 μ m (.000080) MINIMUM THICK TIN LEAD OVER 2.03 μ m (.000080) MINIMUM THICK COPPER UNDERPLATE.
- PLUG WILL ACCEPT 24 TO 28AWG. STRANDED WIRE**

①	RJ45 8P8C Cat.5e Colored Plug for FTP/SFTP Strand Cable	1	PC.
ITEM	DESCRIPTION	Q'TY	UNIT
Designed by - date	Checked by - date	Approved by - date	Date 24/09/2009
		Size A4	Scale -
 HOSIWELL TECHNOLOGY CO., LTD.		Part Name	Unit
		RJ45 8P8C Cat.5e Colored Plug	mm.
		Part No.	Issued
		21413-CC	1
Ref. No.	Sheet		
Used On.	1 of 1		