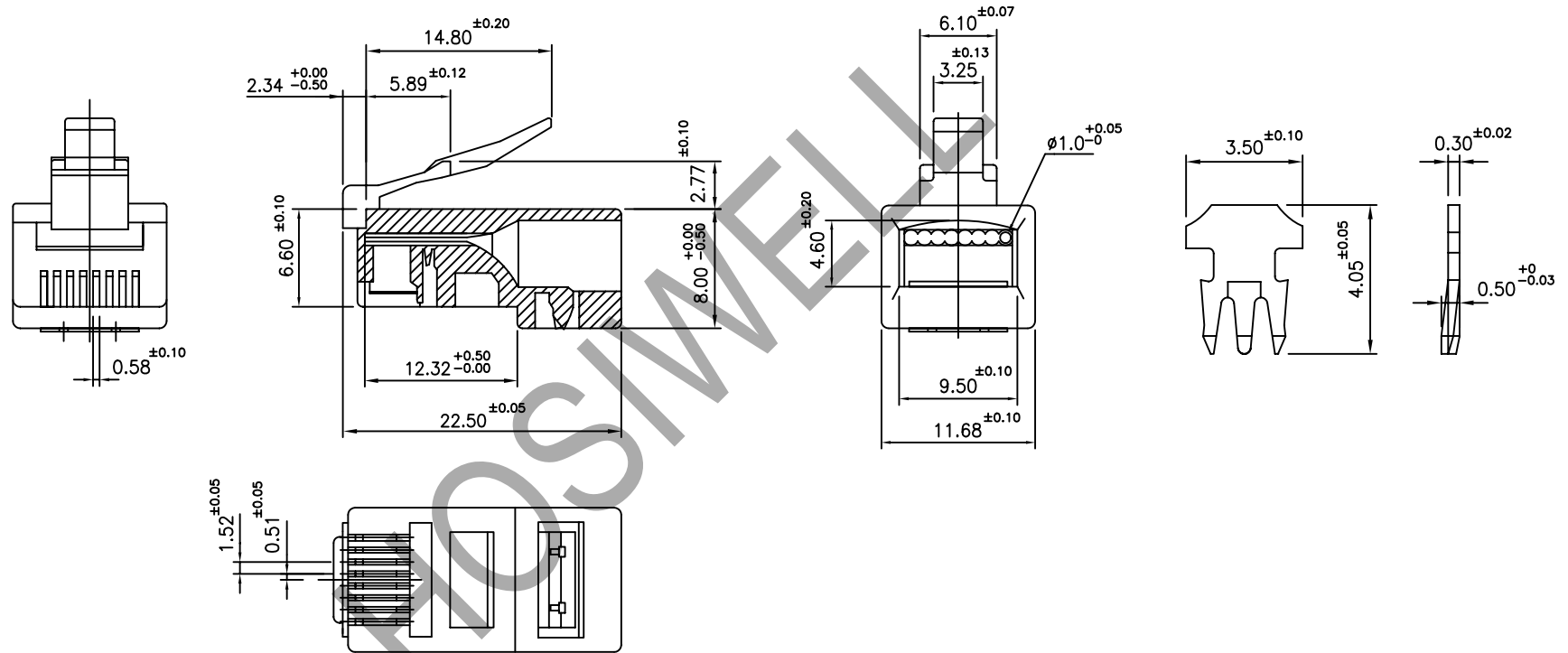



RevNo	Revision note	Date
①		
②		
③		



1. MATERIAL HOUSING--POLYCARBONATE, CLEAR.  
TERMINAL-- PHOSPHOR BRONZE, PLATED WITH 0.381 $\mu\text{m}$  (.000015) MINIMUM THICK GOLD IN LOCALIZED GOLD PLATE AREA, GOLD FLASH OVER THE REMAINDER, OVER 2.54 $\mu\text{m}$  (.000100) MINIMUM THICK NICKEL UNDERPLATE.
2. PLUG WILL ACCEPT 24 TO 26AWG. SOLID WIRE

①	RJ45 8P8C Cat.5e Plug for UTP Solid Cable	1	PC.
ITEM	DESCRIPTION	Q'TY	UNIT
Designed by - date	Checked by - date	Approved by - date	Date 24/09/2009
		Size A4	Scale -
 HOSIWELL TECHNOLOGY CO., LTD.		Part Name RJ45 8P8C Cat.5e Plug	Unit mm.
		Part No. 21412	Issued 1
		Ref. No.	Sheet
		Used On.	1 of 1