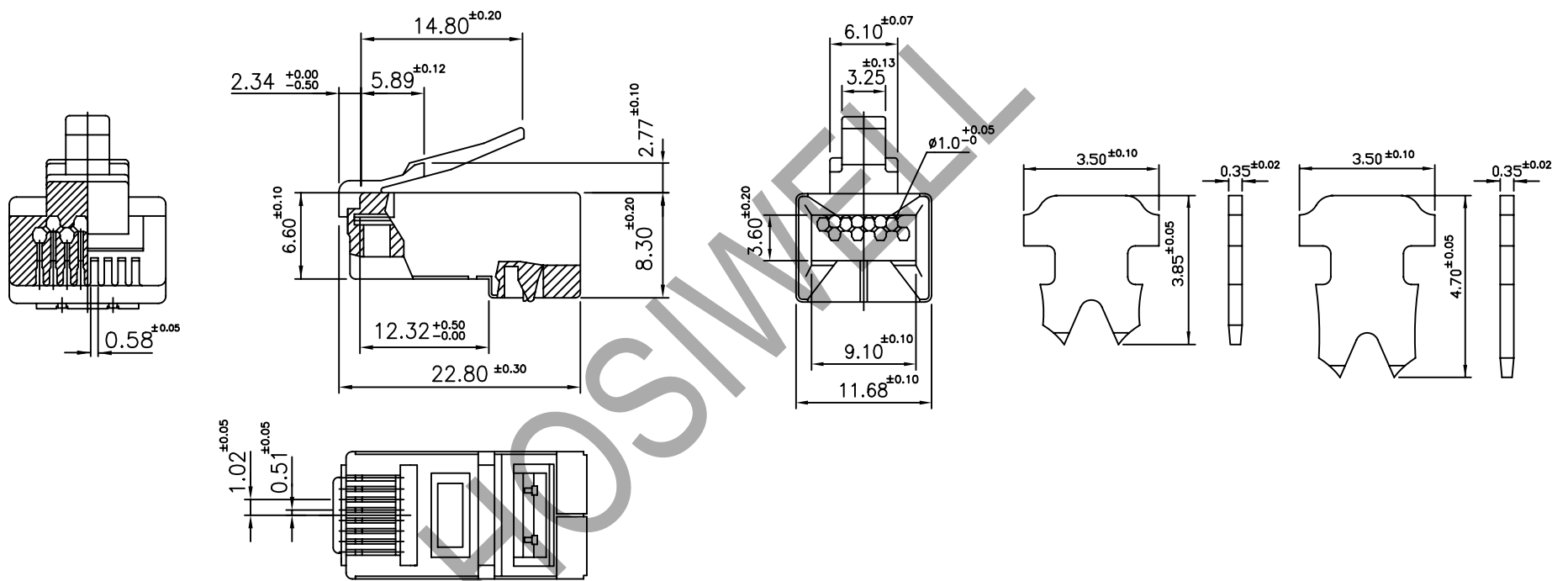



1 2 3 4 5 6 7 8

RevNo	Revision note	Date
△1		
△2		
△3		



1. MATERIAL HOUSING-POLYCARBONATE, CLEAR.  
 TERMINAL- PHOSPHOR BRONZE, PLATED WITH 0.381µm (.000015) MINIMUM THICK GOLD IN LOCALIZED GOLD PLATE AREA, GOLD FLASH OVER THE REMAINDER, OVER 2.54µm (.000100) MINIMUM THICK NICKEL UNDERPLATE.  
 SHIELD- COPPER ALLOY PLATED WITH 2.03µm (.000080) MINIMUM THICK TIN LEAD OVER 2.03µm (.000080) MINIMUM THICK COPPER UNDERPLATE.
2. PLUG WILL ACCEPT 24 TO 28AWG. STRANDED WIRE

①	RJ45 8P8C Cat.5e Staggered Plug for FTP/SFTP Strand Cable	1	PC.
ITEM	DESCRIPTION	Q'TY	UNIT
Designed by	date	Checked by - date	Approved by - date
			Date 24/09/2009
			Size A4
			Scale -
 HOSIWELL TECHNOLOGY CO., LTD.		Part Name	Unit
		RJ45 8P8C Cat.5e Staggered Plug	mm.
		Part No. 21403	Issued 1
		Ref. No.	Sheet 1 of 1
Used On.			

1 2 3 4 5 6 7 8