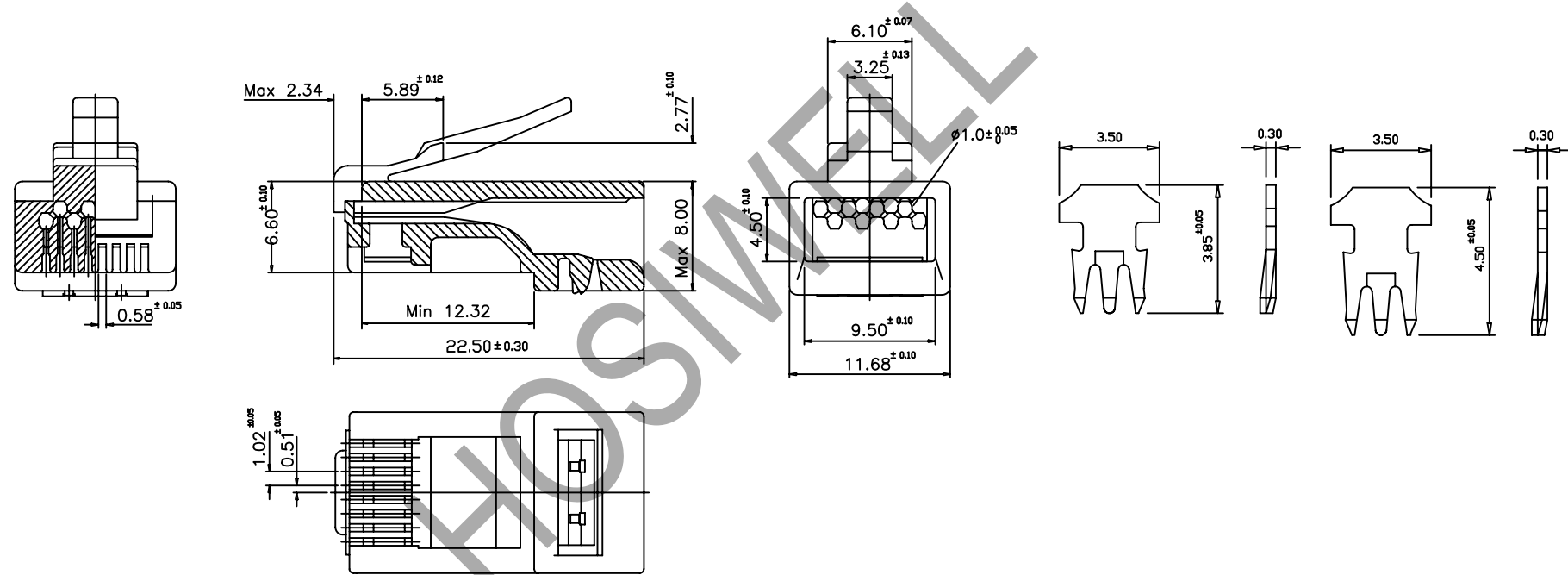



1 2 3 4 5 6 7 8

RevNo	Revision note	Date
①		
②		
③		



1. DIMENSIONS ARE MAXIMUM UNLESS OTHERWISE SPECIFIED.
2. MATERIAL HOUSING—POLYCARBONATE, CLEAR.  
TERMINAL— PHOSPHOR BRONZE, PLATED WITH 0.381 $\mu$ m (.000015) MINIMUM THICK GOLD IN LOCALIZED GOLD PLATE AREA, GOLD FLASH OVER THE REMAINDER, OVER 2.54 $\mu$ m (.000100) MINIMUM THICK NICKEL UNDERPLATE.
3. PLUG WILL ACCEPT 24 TO 26AWG. SOLID WIRE

①	RJ45 8P8C Cat.5e Staggered Plug for UTP Solid Cable	1	PC.
ITEM	DESCRIPTION	Q'TY	UNIT
Designed by date	Checked by - date	Approved by - date	Date 24/09/2009
		Size A4	Scale -
 HOSIWELL TECHNOLOGY CO., LTD.		Part Name RJ45 8P8C Cat.5e Staggered Plug	Unit mm.
		Part No. 21402	Issued 1
		Ref. No.	Sheet
		Used On.	1 of 1

1 2 3 4 5 6 7 8