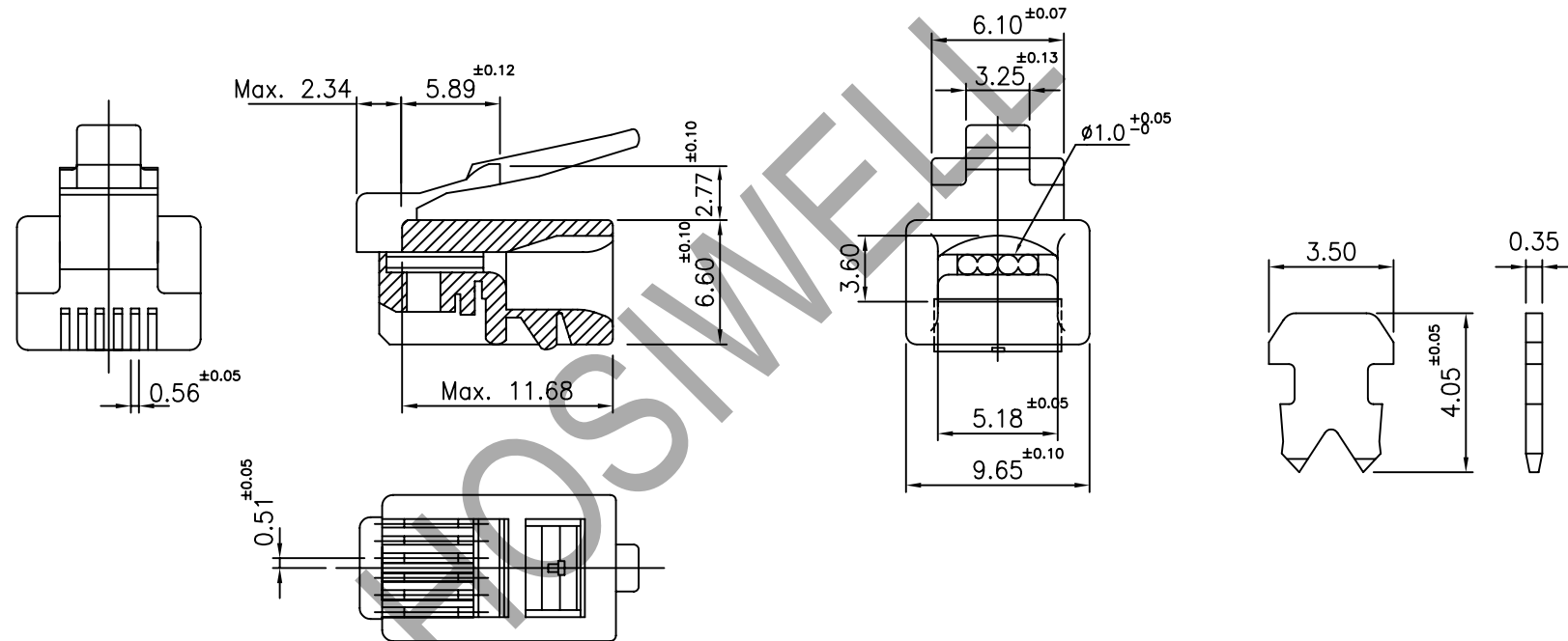



RevNo	Revision note	Date
△		
△		
△		



1. DIMENSIONS ARE MAXIMUM UNLESS OTHERWISE SPECIFIED.
2. MATERIAL HOUSING—POLYCARBONATE, CLEAR.
TERMINAL— PHOSPHOR BRONZE, PLATED WITH 0.381 μm (.000015) MINIMUM THICK GOLD IN LOCALIZED GOLD PLATE AREA, GOLD FLASH OVER THE REMAINDER, OVER 2.54 μm (.000100) MINIMUM THICK NICKEL UNDERPLATE.
3. PLUG WILL ACCEPT 26 OR 28AWG. STRANDED WIRE

①	RJ11 6P4C Telephone Plug Colored Type				1	PC.
ITEM	DESCRIPTION				Q'TY	UNIT
Designed by	date	Checked by	date	Approved by	date	Scale
					24/09/2009	A4
 HOSIWELL TECHNOLOGY CO., LTD.				Part Name		Unit
				RJ11 6P4C Telephone Plug		mm.
				Part No.		Issued
				21400-CC		1
Ref. No.				Sheet		
Used On.				1 of 1		