

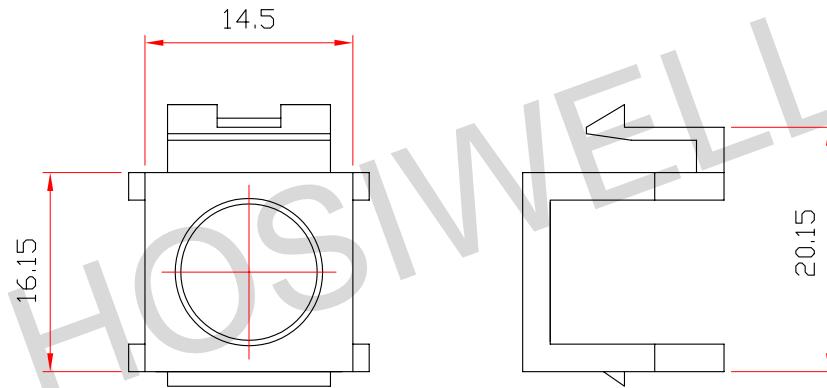
SPECIFICATION


MATERIAL :

INSERT – ABS MOLDING COMPOUND

UNLESS OTHERWISE SPECIFIED ALL
DIMENSIONS ARE SHOWN NOMINAL.

RevNo	Revision note	Date
△1		
△2		
△3		



Designed by - date	Checked by - date	Approved by - date	Date	Size A4	Scale -	
 HOSIWELL TECHNOLOGY CO., LTD.			Part Name Fiber Coupler Insert ST Type		Unit -	
			Part No. 20125		Issued 1	
			Ref. No.		Sheet	
			Used On.		1 of 1	