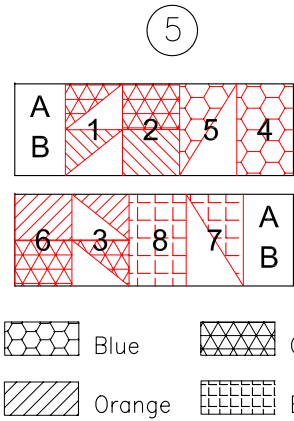
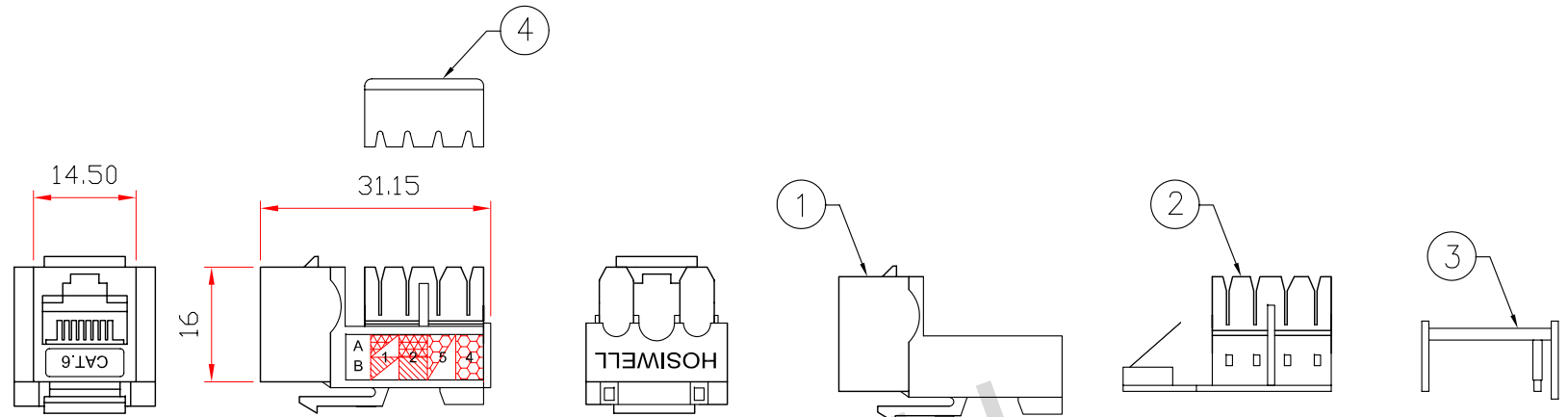


RevNo	Revision note	Date
△1		
△2		
△3		




**SPECIFICATION**

CONTACT MATERIAL : PHOSPHOR BRONZE

CONTACT PLATING : 50 MICRO INCH GOLD  
PLATE IN CONTACT AREA

JACK MATERIAL : POLYCARBONATE

⑤	STICKER KEYSTONE JACK WIRING T568A/B CAT.6	2	PCS.			
④	DUST CAP	1	PC.			
③	PCB COVER	1	PC.			
②	ACCESSORIES CONDUCTOR	1	SET.			
①	KEYSTONE JACK HOUSING	1	PC.			
ITEM	DESCRIPTION	Q'TY	UNIT			
Designed by	date	Checked by - date	Approved by - date	Date	Size A4	Scale -
 <b>HOSIWELL TECHNOLOGY CO., LTD.</b>		Part Name	CAT.6 HORIZONTAL TYPE		Unit	-
		Part No.	20205-WH		Issued	1
		Ref. No.			Sheet	
		Used On.			1 of 1	