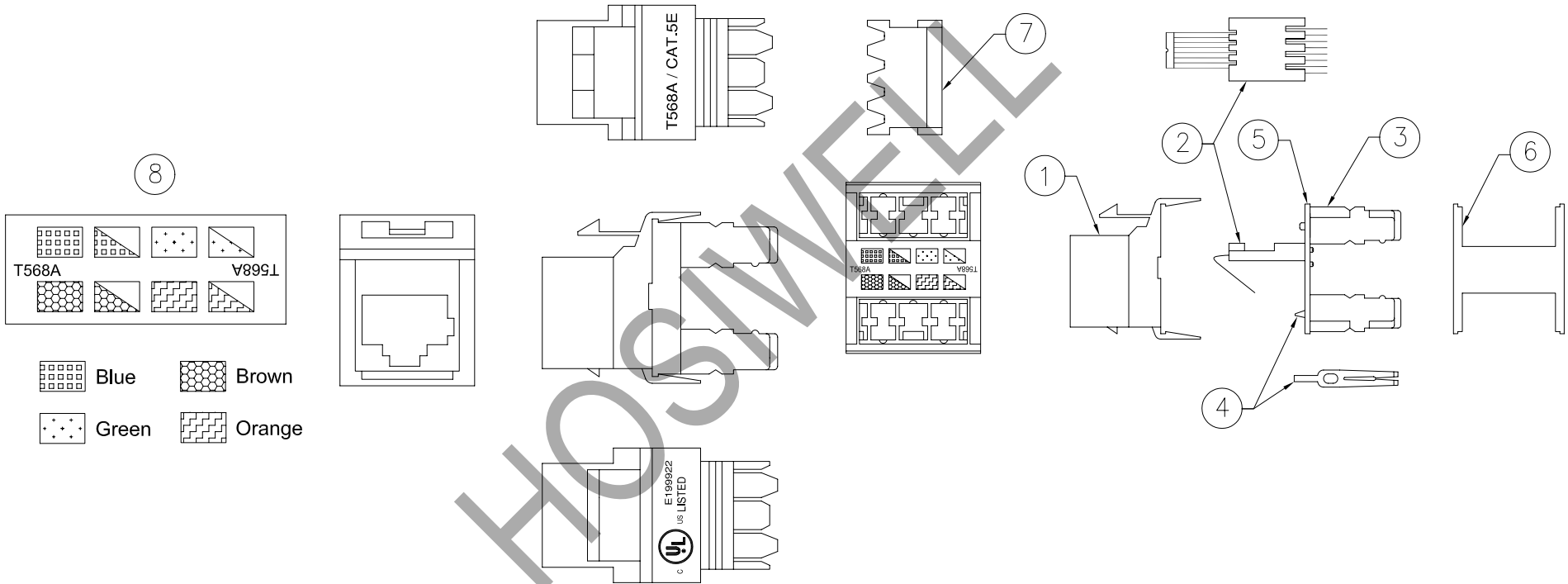


RevNo	Revision note	Date
①		
②		
③		



SPECIFICATION
 CONTACT MATERIAL : PHOSPHOR BRONZE
 CONTACT PLATING : 50 MICRO INCH GOLD
 PLATE IN CONTACT AREA
 JACK MATERIAL : POLYCARBONATE

ITEM	DESCRIPTION	Q'TY	UNIT
⑧	STICKER KEYSTONE JACK WIRING T568A CAT.5E	1	PC.
⑦	DUST CAP	2	PCS.
⑥	PCB COVER	1	PC.
⑤	PCB	1	PC.
④	TERMINAL	8	PCS.
③	IDC 110 CONNECTOR	2	PCS.
②	COPPER CONTACT PIN GOLD PLATING 50µ	1	PC.
①	KEYSTONE JACK HOUSING	1	PC.

Designed by date	Checked by - date	Approved by - date	Date 23/09/2009	Size A4	Scale -
------------------	-------------------	--------------------	--------------------	------------	------------

 HOSIWELL TECHNOLOGY CO., LTD.	Part Name Cat.5e RJ45 Modular Jack	Unit -
	Part No. 20102-WH	Issued 1
	Ref. No.	Sheet
	Used On.	1 of 1