

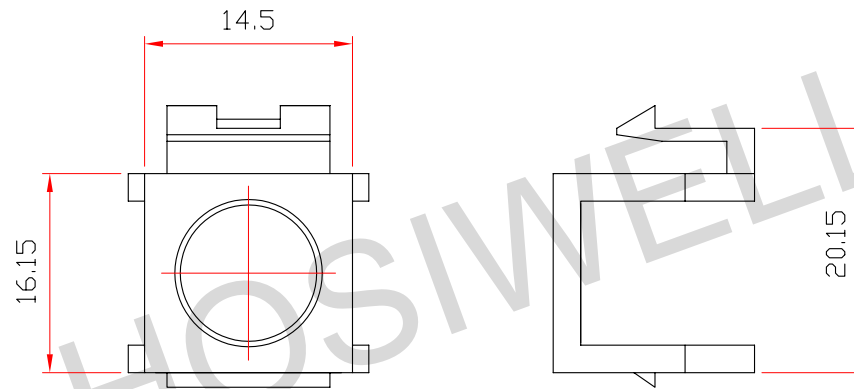
RevNo	Revision note	Date
△		
△		
△		


SPECIFICATION

MATERIAL :

INSERT – ABS MOLDING COMPOUND

UNLESS OTHERWISE SPECIFIED ALL
DIMENSIONS ARE SHOWN NOMINAL.



Designed by - date	Checked by - date	Approved by - date	Date	Size A4	Scale -
 HOSIWELL TECHNOLOGY CO., LTD.			Part Name Coaxial Coupler Insert F Type		Unit -
			Part No. 20123		Issued 1
			Ref. No.		Sheet
			Used On.		1 of 1