

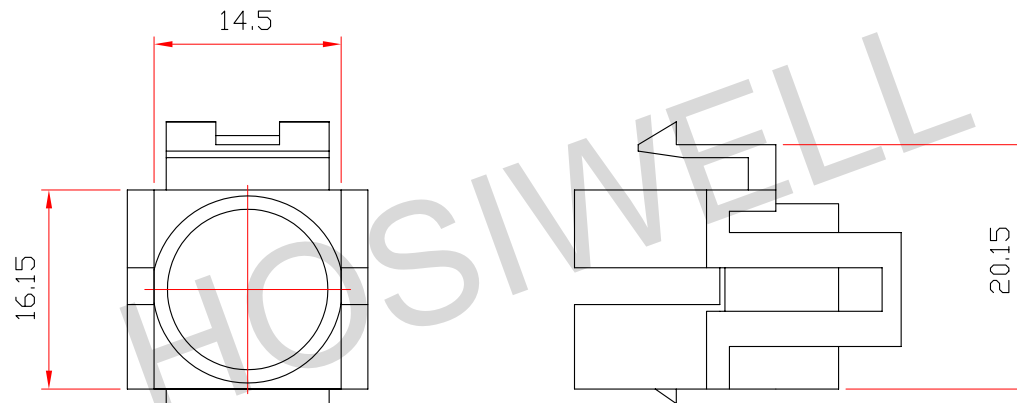
RevNo	Revision note	Date
△		
△		
△		


SPECIFICATION

MATERIAL :

INSERT – ABS MOLDING COMPOUND

UNLESS OTHERWISE SPECIFIED ALL
DIMENSIONS ARE SHOWN NOMINAL.



Designed by - date	Checked by - date	Approved by - date	Date	Size A4	Scale -
 HOSIWELL TECHNOLOGY CO., LTD.				Part Name Coaxial Coupler Insert BNC Type	Unit -
				Part No. 20122	Issued 1
				Ref. No.	Sheet 1 of 1
				Used On.	