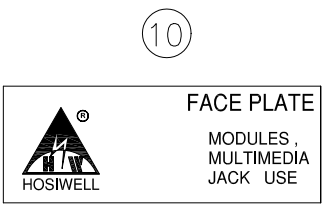
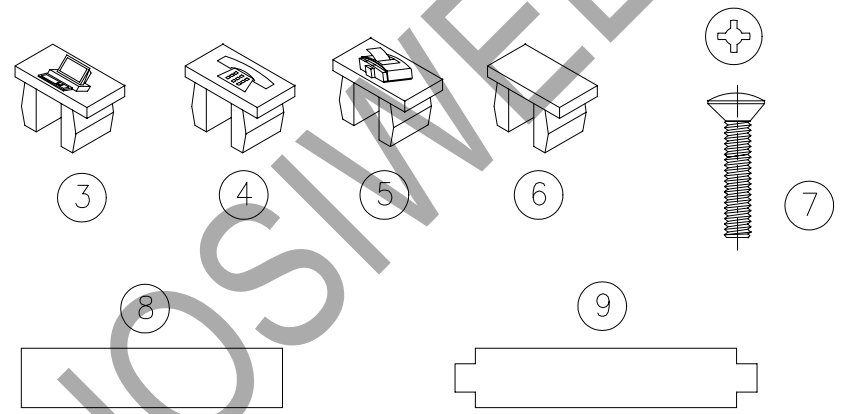
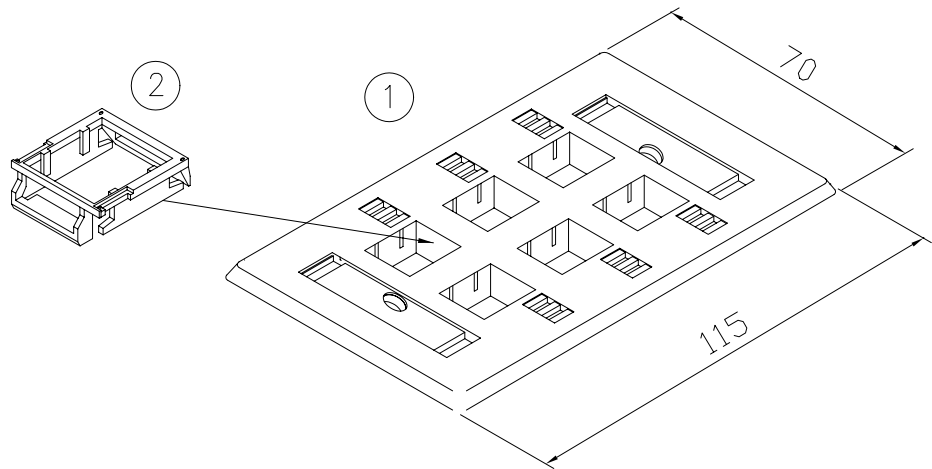
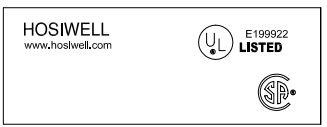


RevNo	Revision note	Date
△		
△		
△		



Front View



Back View

ITEM	DESCRIPTION	Q'TY	UNIT
⑩	PACKING HEADER FACE PLATE FOR HOSIWELL	1	PC.
⑨	PLASTIC COVER	2	PCS.
⑧	PAPER NOTE	2	PCS.
⑦	SCREW JMO NICKEL 6-32 x 20	2	PCS.
⑥	BLANK WHITE COLOR	2	PCS.
⑤	DATA WHITE COLOR	2	PCS.
④	GRAPHIC VOICE WHITE COLOR	2	PCS.
③	GRAPHIC DATA WHITE COLOR	2	PCS.
②	SNAP LOCK (COLOR TO MATCH FACE PLATE)	6	PCS.
①	FACE PLATE K6	1	PC.

Designed by - date	Checked by - date	Approved by - date	Date	Size	Scale
			28/09/2009	A4	-

 HOSIWELL TECHNOLOGY CO., LTD.	Part Name	Unit
	Faceplate US Type 6 Ports	mm
	Part No. 20005-WH	Issued 1
	Ref. No.	Sheet
Used On.		1 of 1