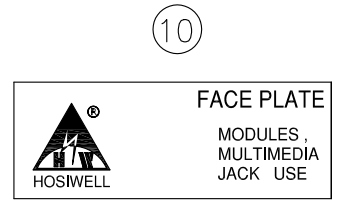
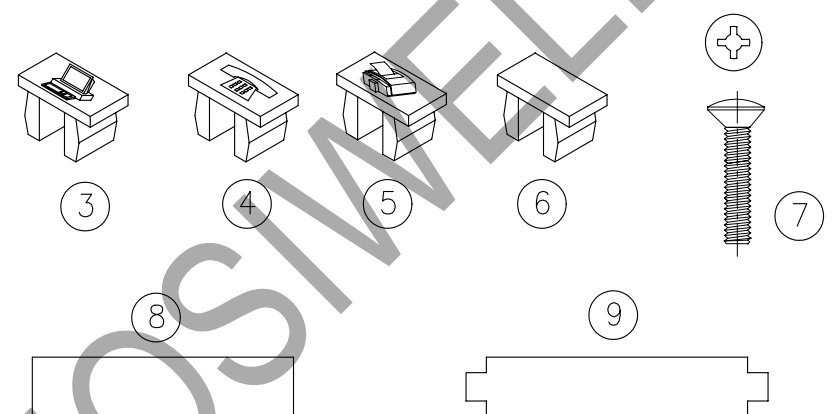
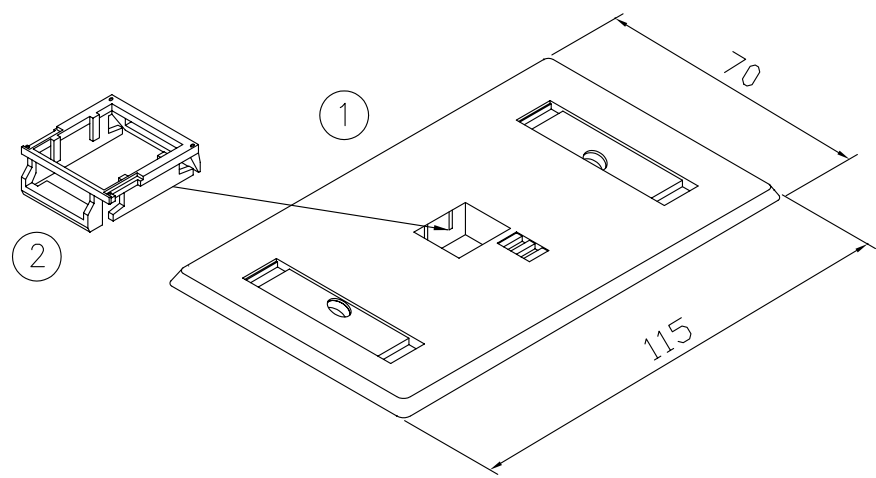


1 2 3 4 5 6 7 8

RevNo	Revision note	Date
△		
△		
△		




Front View



Back View

ITEM	DESCRIPTION	Q'TY	UNIT
⑩	PACKING HEADER FACE PLATE FOR HOSIWELL	1	PC.
⑨	PLASTIC COVER	2	PCS.
⑧	PAPER NOTE	2	PCS.
⑦	SCREW JMO NICKEL 6-32 x 20	2	PCS.
⑥	BLANK WHITE COLOR	1	PC.
⑤	DATA WHITE COLOR	1	PC.
④	GRAPHIC VOICE WHITE COLOR	1	PC.
③	GRAPHIC DATA WHITE COLOR	1	PC.
②	SNAP LOCK (COLOR TO MATCH FACE PLATE)	1	PC.
①	FACE PLATE K1	1	PC.

Designed by - date	Checked by - date	Approved by - date	Date	Size	Scale
			28/09/2009	A4	-

 HOSIWELL TECHNOLOGY CO., LTD.	Part Name	Unit
	Faceplate US Type Single Port	mm
	Part No. 20001-WH	Issued
	1	
Ref. No.	Sheet	
Used On.	1 of 1	

1 2 3 4 5 6 7 8