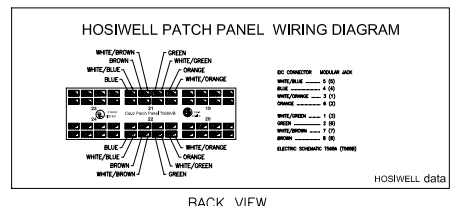
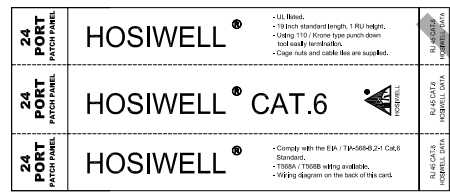
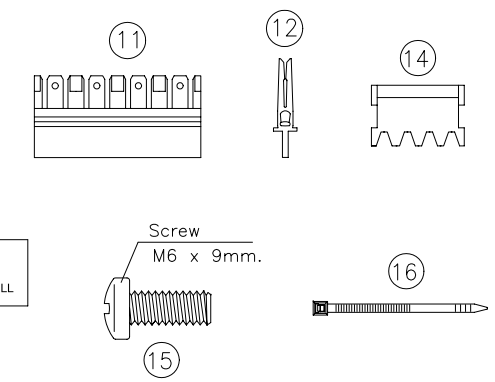
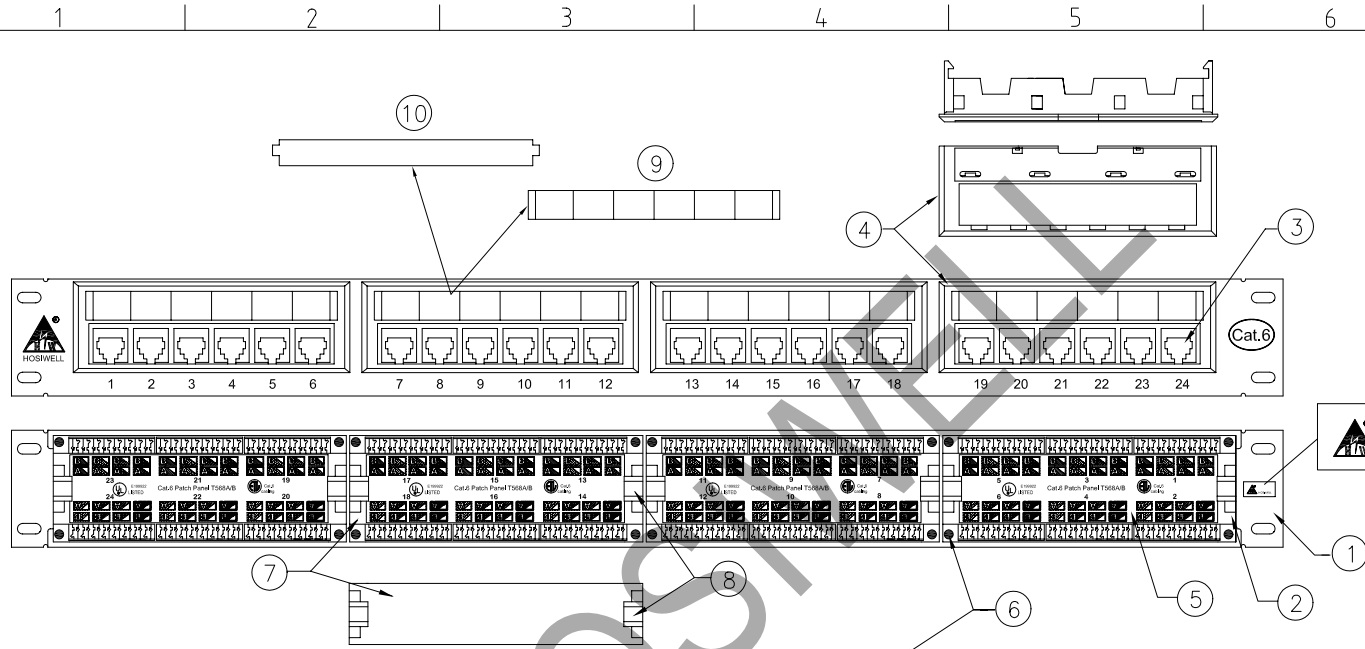


RevNo	Revision note	Date
▲		
▲		
▲		



ITEM	DESCRIPTION	Q'TY	UNIT
18	PLASTIC BOX 24 PORT	1	PC.
17	PACKING HEADER PATCH PANEL 24 PORT CAT.6	1	PC.
16	LOOSEN CABLE TIE (Length : 16 Cm.)	5	PCS.
15	SCREW M6 x 9 mm.	4	PCS.
14	DUST CAP	48	PCS.
13	HOLOGRAPHIC SECURITY LABEL (HOSIWELL)	1	PC.
12	TERMINAL J20207PL	192	PCS.
11	HOUSING 8 P	24	PCS.
10	PLASTIC GUARD (THICK. 0.25 mm.)	4	PCS.
9	PAPER NOTE	4	PCS.
8	CABLE LOCKER	8	PCS.
7	PCB PROTECTÖR	4	PCS.
6	NYLON PUSH RIVETS (PR-3055) 3 x 5.5 mm.	16	SET.
5	PATCH PANEL WIRING STICKER T568A/B	4	PCS.
4	BRACKET	4	PCS.
3	MODULAR JACK CAT.6	24	SET.
2	PCB CAT.6 PATCH PANEL 24 PORT	4	PCS.
1	PATCH PANEL CAT.6 24 PORT 1U FOR 19 INCH RACK MOUNT METAL PLATE	1	PC.

SPECIFICATION FOR RJ45 JACK
 CONTACT MATERIAL : PHOSPHOR BRONZE
 CONTACT PLATING : 50 MICRO INCH GOLD PLATE IN CONTACT AREA
 JACK MATERIAL : ABS

Designed by - date	Checked by - date	Approved by - date	Date	Size	Scale
			29/09/2009	A4	-
			Part Name	Unit	
			Cat.6 19" Rack Mount Patch Panel 24 Port	-	
			Part No.	Issued	
			20323	1	
			Ref. No.	Sheet	
				1 of 1	