

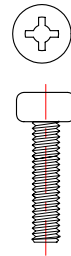
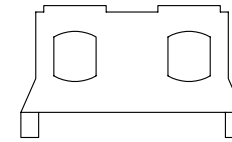
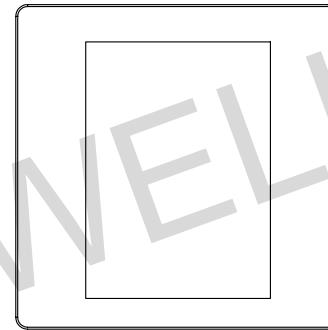
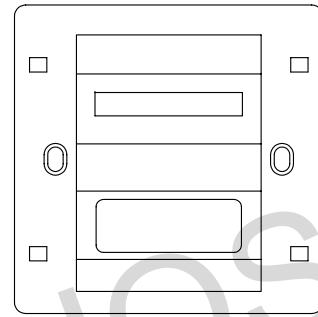
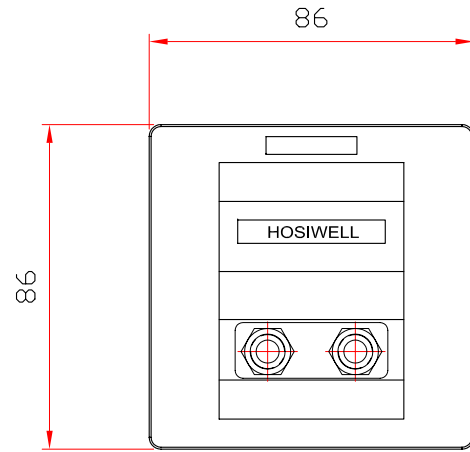
RevNo	Revision note	Date
△1		
△2		
△3		


SPECIFICATION

MATERIAL :

- FACPLATE - ABS MOLDING COMPOUND
- SCREW - ZINC PLATED CARBON STEEL

UNLESS OTHERWISE SPECIFIED ALL DIMENSIONS ARE SHOWN NOMINAL.



Designed by date	Checked by - date	Approved by - date	Date	Size A4	Scale -
 HOSIWELL TECHNOLOGY CO., LTD.			Part Name DUPLEX ST TYPE	Unit -	
			Part No. 40321	Issued 1	
			Ref. No.	Sheet	
			Used On.	1 of 1	