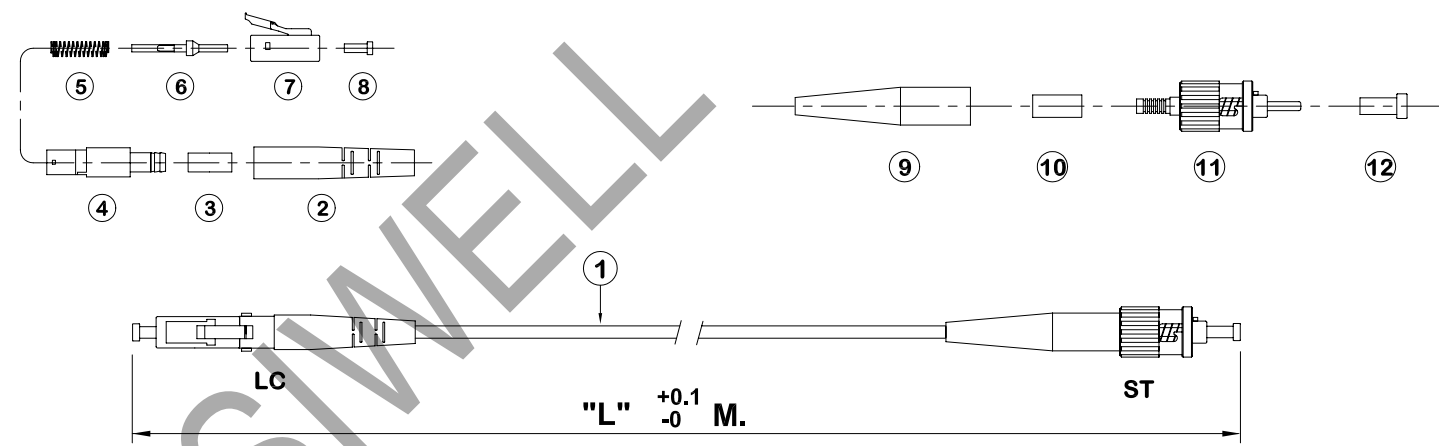


RevNo	Revision note	Date
▲		
▲		
▲		




NOTE:

1. Actual Attenuation Supplied on Test Result Sheet per Individually Packed Assembly
2. CABLE INFO :
 - Fiber Type could be Singlemode and Multimode Simplex
 - Core/Cladding/Buffering Diameter : 62.5/125, 50/125, 9/125 μ m
 - Flame Resistance : UL-1666 (for riser and general building applications)
3. LC-ST Connector INFO :
 - Ferrule Type: Ceramic

40107-LL-Xn
 LL : Fiber Length
 Xn : Fiber Type (Example : 06 means OM1 62.5/125 μ m; 05 means OM2 50/125 μ m; 05a means OM3 50/125 μ m aqua color; 09 means OS1 9/125 μ m)

⑫	DUST CAP	1	PC.
⑪	ST CONNECTOR ASSEMBLY	1	PC.
⑩	CRIMP EYELET	1	PC.
⑨	STRAIN RELIET BOOT	1	PC.
⑧	DUST CAP	1	PC.
⑦	HOUSING	1	PC.
⑥	FERRULE	1	PC.
⑤	SPRING	1	PC.
④	SPRING BACK HOLD	1	PC.
③	CRIMP EYELET	1	PC.
②	STRAIN RELIEF BOOT	1	PC.
①	FIBER OPTIC CABLE	1	PC.
ITEM	DESCRIPTION	Q'TY	UNIT

Designed by date	Checked by - date	Approved by - date	Date 29/09/2009	Size A4	Scale -
 HOSIWELL TECHNOLOGY CO., LTD.			Part Name Fiber Patch Cord LC-ST Simplex	Unit M.	
			Part No. 40107-LL-Xn	Issued 1	
			Ref. No.	Sheet	
			Used On.	1 of 1	