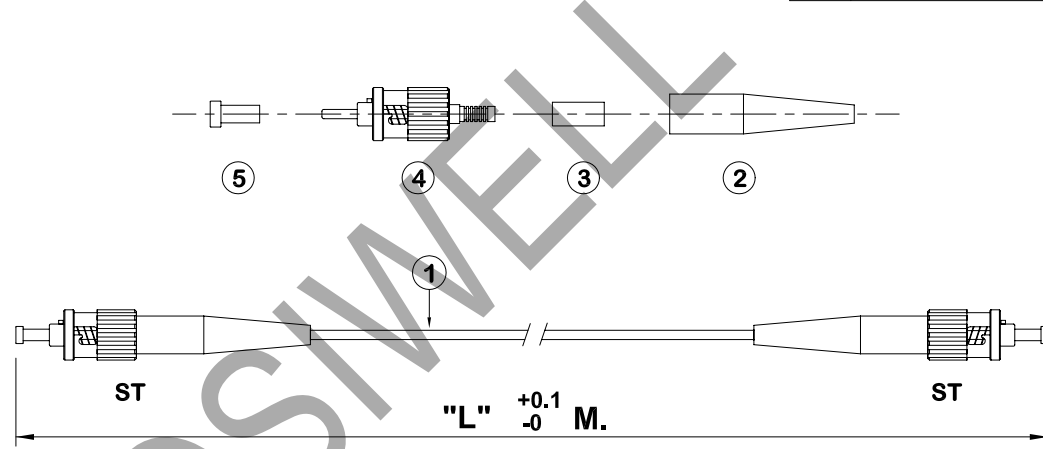


1 2 3 4 5 6 7 8

RevNo	Revision note	Date
△		
△		
△		



NOTE:

1. Actual Attenuation Supplied on Test Result Sheet per Individually Packed Assembly
2. CABLE INFO :
 - Fiber Type could be Singlemode and Multimode Simplex
 - Core/Cladding/Buffering Diameter : 62.5/125, 50/125, 9/125 μ m
 - Flame Resistance : UL-1666 (for riser and general building applications)
3. ST-ST Connector INFO :
 - Ferrule Type: Ceramic

40101-LL-Xn


LL : Fiber Length

Xn : Fiber Type (Example : 06 means OM1 62.5/125 μ m; 05 means OM2 50/125 μ m;

05a means OM3 50/125 μ m aqua color; 09 means OS1 9/125 μ m)

⑤	DUST CAP	2	PCS.
④	ST CONNECTOR ASSEMBLY	2	PCS.
③	CRIMP EYELET	2	PCS.
②	STRAIN RELIET BOOT	2	PCS.
①	FIBER OPTIC CABLE	1	PC.
ITEM	DESCRIPTION	Q'TY	UNIT

Designed by date	Checked by - date	Approved by - date	Date 29/09/2009	Size A4	Scale -
------------------	-------------------	--------------------	--------------------	------------	------------

 HOSIWELL TECHNOLOGY CO., LTD.	Part Name	Fiber Patch Cord ST-ST Simplex	Unit	M.
	Part No.	40101-LL-Xn	Issued	1
	Ref. No.		Sheet	
	Used On.		1 of 1	

1 2 3 4 5 6 7 8